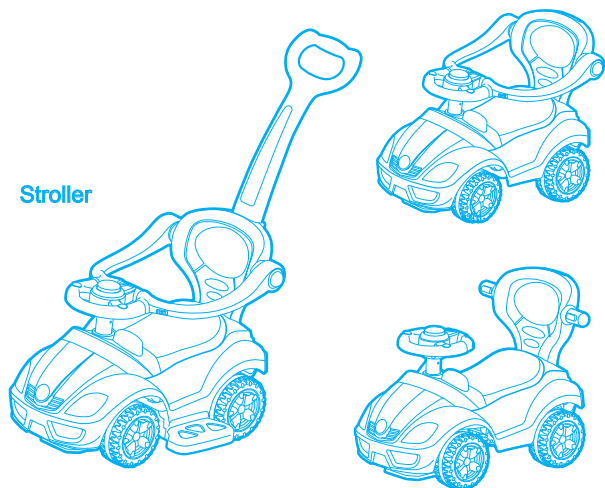


Item transformation function



Stroller

Walker car : After disassembling pedal (part 4) and push knob (part 7) according to the operating function Figure 3、5, a walker car which can help children learn to walk will be shown.

Riding car : After disassembling pedal (part 4), push knob (part 7) and armrest guardrail (part 5) according to the operating function Figure 3、4、5, a riding car which move with feet will be shown.

WARNING



To reduce the risk of injury, adult supervision is required at all times. In the interests of safety, DO NOT use this product on public roads, near motor vehicles, uneven ground, swimming pools or where there is water. Product must only be used by one child at a time.

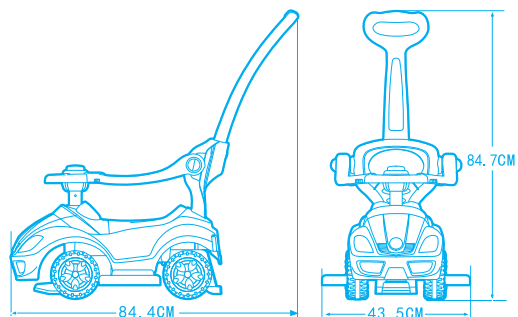


Protective clothing and equipment should always be worn when using this product.



Please keep the product and all parts away from children before full assembly has been completed by a responsible adult. Unassembled product contains small parts and potentially harmful sharp edges.

Dimensions of car



K07-SMS-062-002

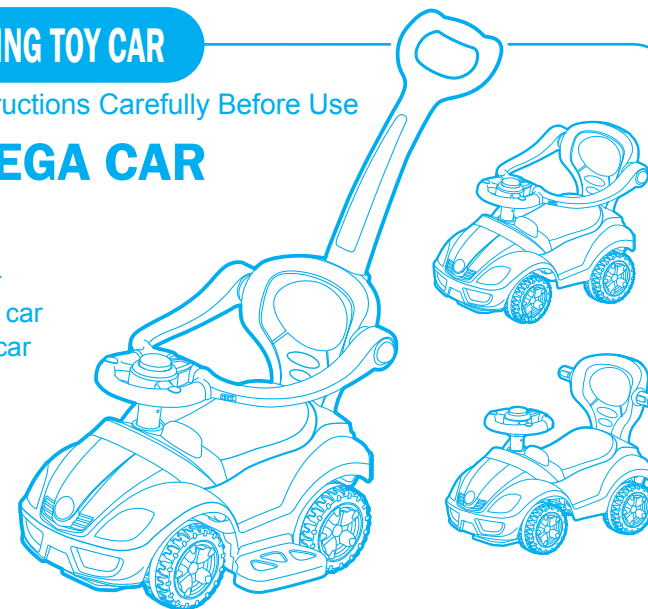
002-03

DELUXE MEGA RIDING TOY CAR

Read Operation Instructions Carefully Before Use

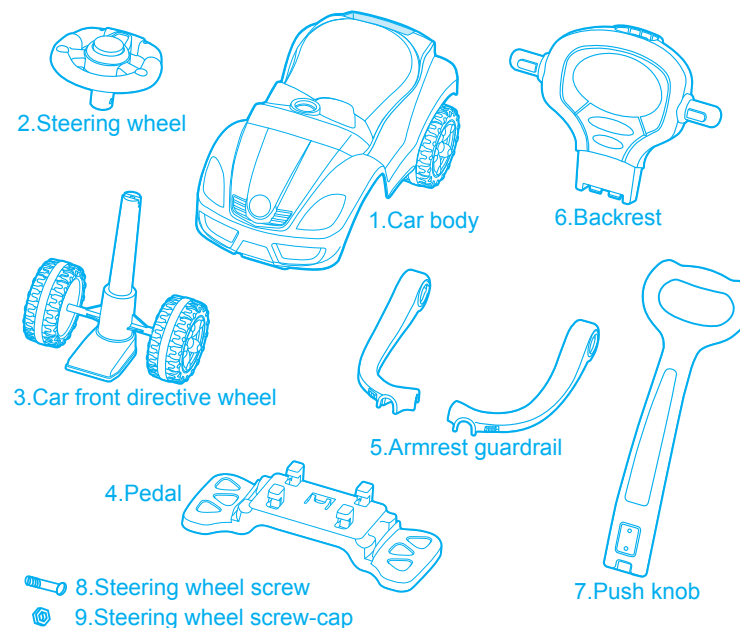
DELUXE MEGA CAR

- Used as stroller
- Used as walker car
- Used as riding car



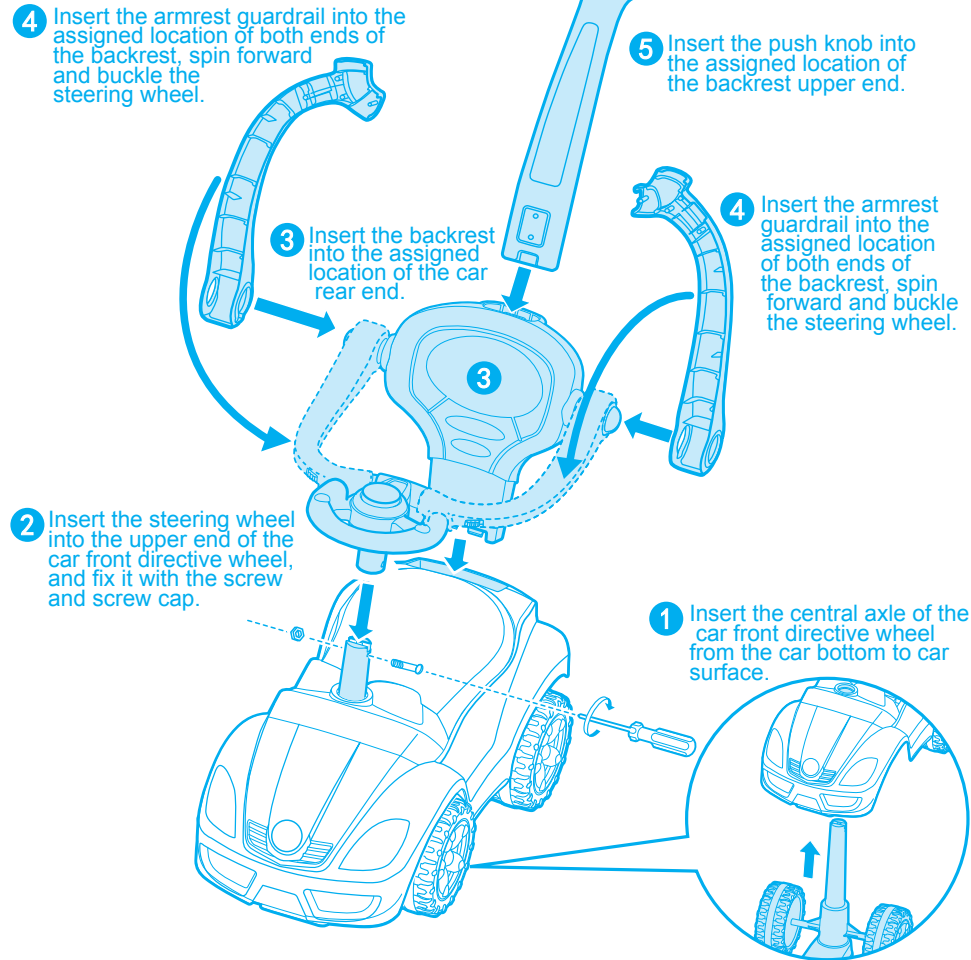
Please read the installation instructions carefully before installation.

Parts list

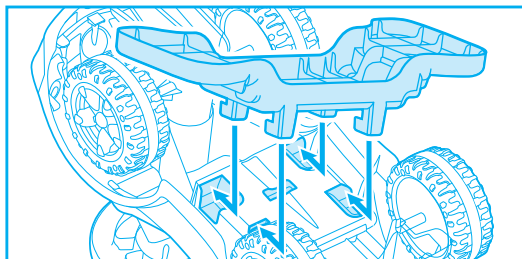


Beginning of assembly

1. Assembly of car body (please see the assembly order)

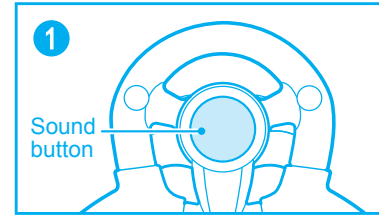


2. Installation of pedal

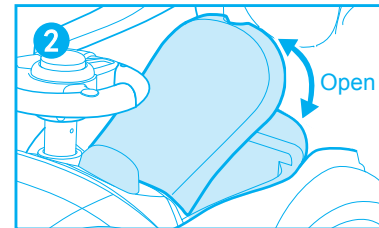


Insert the pedal buckles into the assigned location of the car bottom and push them forward along with the direction of arrow until fasten them.

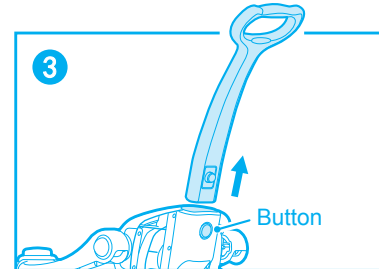
Operating function



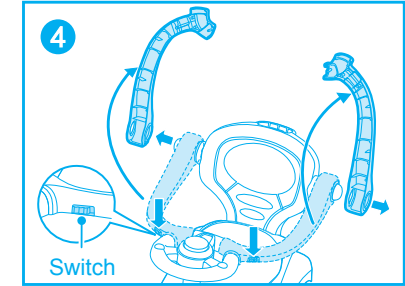
There is one sound button on the steering wheel, when press the button, the sound will be on.



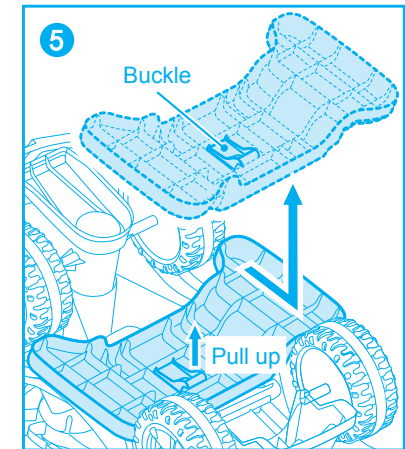
Open the seat and put the goods in it.



Press the button under the push knob, the push knob can be removed.



Push the switch of the armrest guardrail and spin it backward, the armrest guardrail can be removed.



Pull up the pedal buckle, push them backward along with the direction of arrow and lift upward, the pedal can be removed.

Safety operation guide

This operation guide shows you how to ensure children riding the car with joy and safety. Please read below safety operation guide carefully before use.

- Children should ride the car properly with adult's guidance and instructions, otherwise children themselves or others may be hurt.
- Some possible sharp edge, cuspidal points or small parts may be on the toy before assembly, so the toy should be assembled by adult.
- Don't ride the car in such dangerous places as street, road, steep slopes and beside swimming pool. Otherwise, it may cause traffic accident or drowning hazard.
- The item is only suitable for children of 2-6 years old. Children must put on protective equipments before use, such as: helmet, hands pads and knee pads.
- The car maximum load is 23 kg. No overload running.
- To avoid suffocation, keep all bags away from babies and children. Dispose of all bags immediately.
- Some parts of the car will be damaged if it is improperly ridden.
- Small parts possibly fall off when this toy car is used, so it is not suitable for children under 2 years old.
- Please frequently check whether the various parts are completely in good condition or not when installing and using, and they should be regularly checked and maintained.
- Instructions are to be kept as they contain important information.

The package contains important information, please keep it.